

APPLICATION

Separable tee shape connector designed to connect polymeric insulated cable to equipment (transformers, switchgear, motors, ...).

Also connects cable to cable when using the appropriate mating parts.

DESIGN

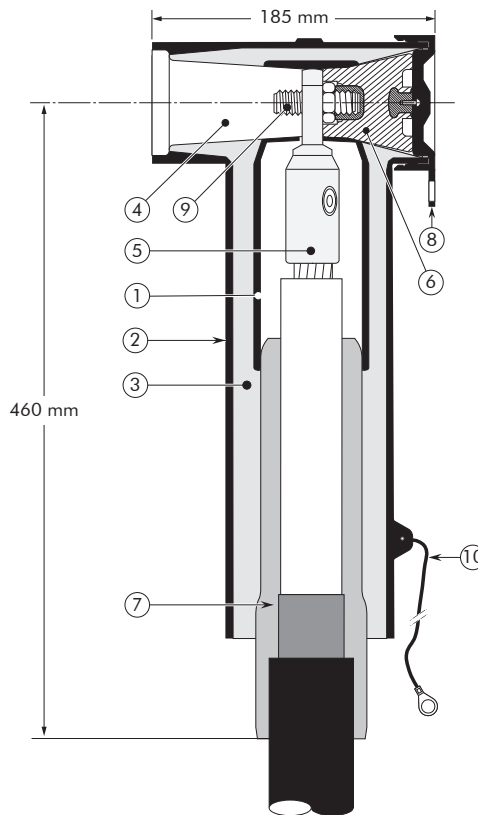
Separable connector comprising:

1. Conductive EPDM insert.
2. Conductive EPDM jacket.
3. Insulating EPDM layer moulded between the insert and the jacket.
4. Type C - interface as described by CENELEC EN 50180 and 50181.
5. Conductor contact.
6. Basic insulating plug (with VD point).
7. Cable reducer.
8. Conductive rubber cap.
9. Stud+flange nut.
10. Earthing lead.

The screen break design enables cable outer sheath testing without removing or dismantling the connector.

TECHNICAL CHARACTERISTICS

- The thick conductive EPDM jacket provides a total safe to touch screen which ensures safety for personnel.
- Each separable connector is tested for AC withstand and partial discharge prior to leaving the factory.



6/10 (12) kV
 6.35/11 (12) kV
 8.7/15 (17.5) kV
 12/20 (24) kV
 12.7/22 (24) kV
 18/30 (36) kV
 19/33 (36) kV
 20.8/36 (42) kV

Up to 42 kV
630 A - 1250 A

EUROMOLD®

SPECIFICATIONS AND STANDARDS

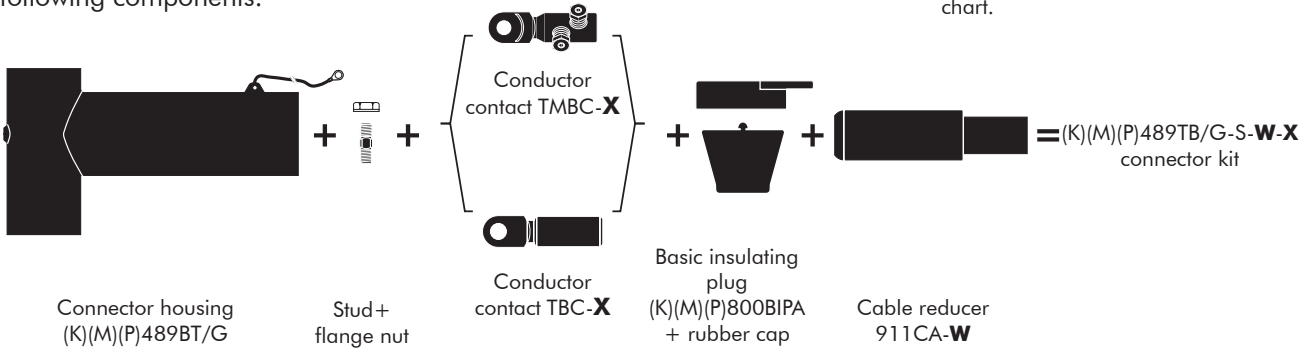
The 489TB separable connector meets the requirements of CENELEC HD 629.1.

Separable connector type	Voltage U_m (kV)	Current I_r (A)	Conductor sizes (mm ²)	
			min	max
489TB/G	12	1250	630	1200
K489TB/G	24	1250	630	1200
M489TB/G	36	1250	630	1200
P489TB/G	42	1250	630	1200

02/2022

KIT CONTENTS

The complete (K)(M)(P)489TB/G tee connector kit comprises 3x the following components:



The kit also comprises silicone grease, field control mastic, gloves, wipers, roll adhesive tape, installation instructions and crimp chart.

ORDERING INSTRUCTIONS

To order the tee connector, select the ordering part number which gives you the best centring of your core insulation diameter and substitute **X** using table X, according to your conductor size and type. Add a 'K' for use up to 24 kV, add an 'M' for use up to 36 kV, add a 'P' for use up to 42 kV.

EXAMPLE:

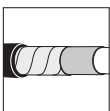
The copper wire screened cable is 36 kV, 1000 mm² stranded aluminium with a diameter over core insulation of 52 mm. Order 3 x M489TB/G-S-43-800.1000UN5 tee connector kit.

TABLE W

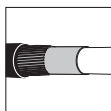
Ordering part number	Dia. over core insulation (mm)	
	min	max
3 x 489TB/G-S-37-X	40	48
3 x 489TB/G-S-43-X	46	54
3 x 489TB/G-S-50-X	53	59
3 x 489TB/G-S-53-X	56	62
3 x 489TB/G-S-56-X	59	65
3 x 489TB/G-S-59-X	62	68

TABLE X

Conductor sizes (mm ²)	Aluminium conductor	Aluminium and copper conductor	Copper conductor
	Deep indent	Bolted	DIN hexagonal
630	630BI1	400.630UN5	630CU2
800	800BI1	800.1000UN5	800CU2
1000	1000BI1	1200UN5	1000CU2
1200	1200BI1		-



For use with copper tape screened cables. Order: Kit MT.



For use with copper wire screened cables. No earthing device is necessary.



For use with other cable types. Please contact our representative.



For applications outdoors and in humid climate. Order: +MWS.



Components can be ordered individually.



For use in potentially explosive atmospheres (for 12 kV max). Order: ATEX-IECEx