

## APPLICATION

Separable coupling connector for dual cable arrangement. It has been designed to be used with 480TB, 484TB and 489TB separable tee connectors. Can also be installed on any 8-series coupling connector for a multiple cable arrangement.

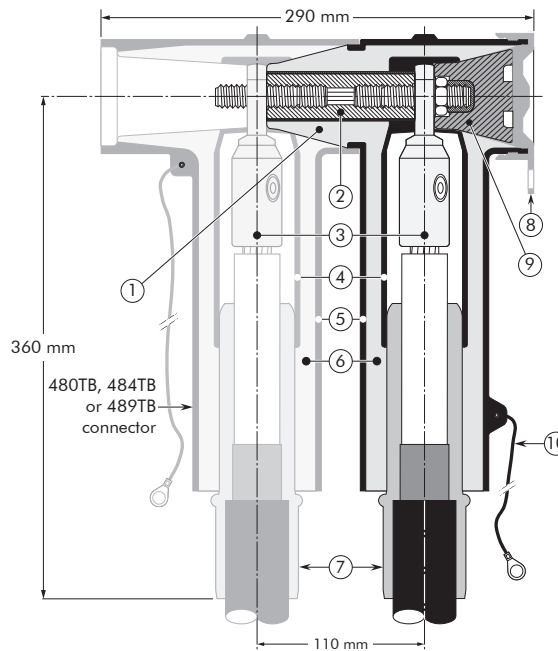
## DESIGN

1. Interface designed to fit 480TB, 484TB and 489TB connector.
2. Contact rod for 804PB.
3. Conductor contact.
4. Conductive EPDM insert.
5. Conductive EPDM jacket.
6. Insulating EPDM layer moulded between the insert and the jacket.
7. Cable reducer.
8. Conductive EPDM cap.
9. Basic insulating plug (with VD point).
10. Earthing lead.

The screen break design enables cable outer sheath testing without removing or dismantling the connector.

## TECHNICAL CHARACTERISTICS

- A thick conductive EPDM jacket provides a total safe to touch screen.
- Each separable connector is tested for AC withstand and partial discharge prior to leaving the factory.



6/10 (12) kV  
6.35/11 (12) kV  
8.7/15 (17.5) kV  
12/20 (24) kV  
12.7/22 (24) kV  
18/30 (36) kV  
19/33 (36) kV  
20.8/36 (42) kV

Up to 42 kV  
1250 A

**EUROMOLD®**

## SPECIFICATIONS AND STANDARDS

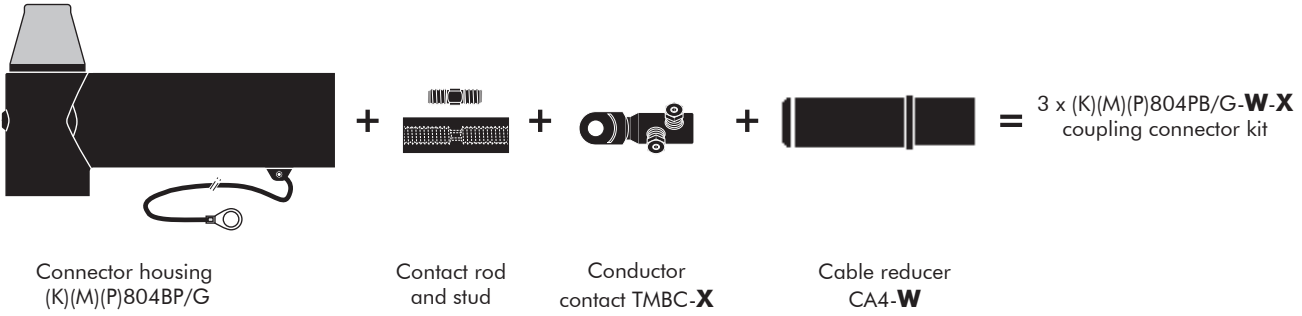
The 804PB coupling connector meets the requirements of CENELEC HD 629.1.

Separable connector type	Voltage $U_m$ (kV)	Current $I_r$ (A)	Conductor sizes (mm <sup>2</sup> )	
			min	max
804PB/G	12	1250	240	630
K804PB/G	24	1250	240	630
M804PB/G	36	1250	240	630
P804PB/G	42	1250	240	630

## KIT CONTENTS

The complete (K)(M)(P)804PB/G coupling connector kit comprises 3 x the following components:

The kit also comprises silicone grease, gloves, wipers, roll adhesive tape, installation instructions and crimp chart.



## ORDERING INSTRUCTIONS

To order the correct coupling connector kit, select the ordering part number from table W which gives you the best centring of your core insulation diameter and substitute **X** using table X, according to your conductor size and type.

Add a 'K' for use up to 24 kV, add an 'M' for use up to 36 kV, add a 'P' for use up to 42 kV.

### EXAMPLE:

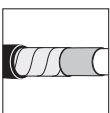
The copper wire screened cable is 36 kV (Um), 400 mm<sup>2</sup> stranded aluminium with a diameter over core insulation of 42.4 mm. Order 3 x M804PB/G-4-37-400.630UN5 coupling connector kit.

TABLE W

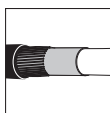
Ordering part number	Dia. over core insulation (mm)	
	min	max
3 x 804PB/G-4-22-X	23.5	31.0
3 x 804PB/G-4-27-X	28.5	37.5
3 x 804PB/G-4-32-X	34.0	42.5
3 x 804PB/G-4-37-X	39.0	48.5
3 x 804PB/G-4-41-X	43.5	56.0

TABLE X

Conductor sizes (mm <sup>2</sup> )	Aluminium and copper conductor	
	Bolted	
240	185.400UN5	
300		
400		
500		400.630UN5
630		



For use with copper tape screened cables. Order: Kit MT.



For use with copper wire screened cables. No earthing device is necessary.



For use with other cable types. Please contact our representative.



For applications outdoors and in humid climate. Order: +MWS.



Components can be ordered individually.



For use in potentially explosive atmospheres (for 12 kV max). Order: ATEX-IECEx