

400AR-6

INTERFACE C1 EQUIPMENT BUSHING

APPLICATION

For use in equipment insulated with oil fluid, typically for transformers, switchgear, capacitors...

TECHNICAL CHARACTERISTICS

Each bushing is tested for AC withstand and partial discharge prior to leaving the factory.

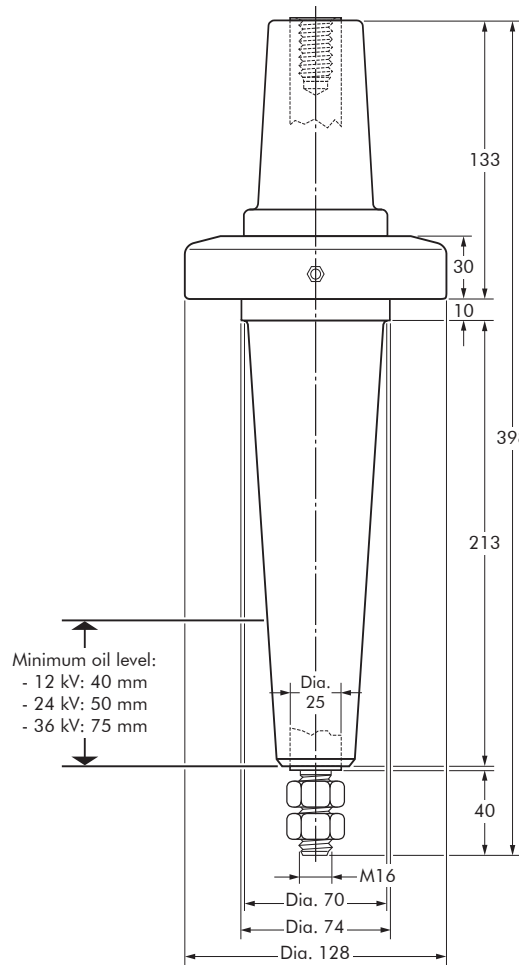


SPECIFICATIONS AND STANDARDS

The bolted type equipment bushings 400AR-6 are moulded epoxy insulated parts and meet the requirements of CENELEC EN 50180 and IEC 60137.

ORDERING INSTRUCTIONS

To order the equipment bushing, specify the type.
The bushings can be supplied with an earth jumper (/J).
This earth connection must be specified when ordering.
E.g. M400AR-6/J.



- 6/10 (12) kV
- 6.35/11 (12) kV
- 8.7/15 (17.5) kV
- 12/20 (24) kV
- 12.7/22 (24) kV
- 18/30 (36) kV
- 19/33 (36) kV

Up to 36kV - 630 A

EUROMOLD®

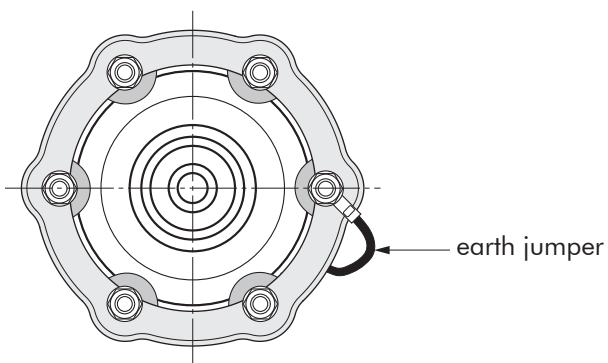
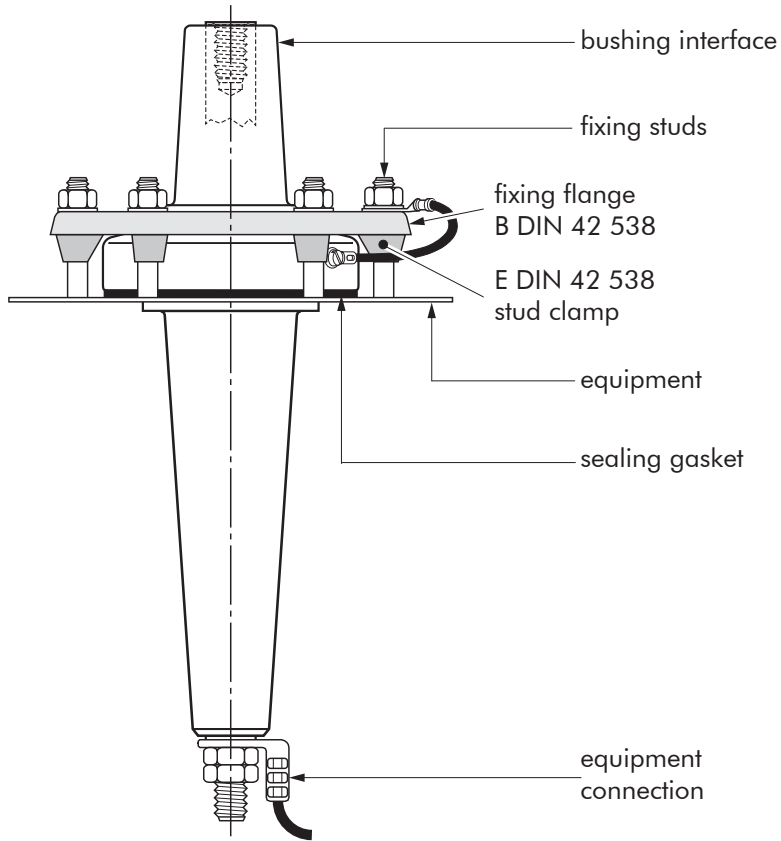
In mm.

Equipment bushing type	Voltage U_m (kV)	Current I_r (A)
400AR-6	12	630
K400AR-6	24	630
M400AR-6	36	630

05/2017

FIXINGS FOR EQUIPMENT BUSHINGS

400AR-6/J BUSHING



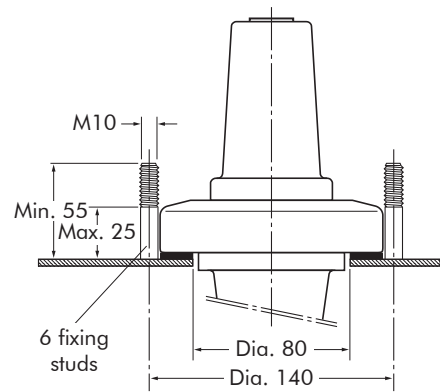
BUSHING CLAMPING KIT

To order the bushing clamping kit, according to DIN 42 538 standards, simply specify KBCD-400B.

- Contents:
- 1 x fixing flange B
 - 6 x stud clamp E
 - 1 x sealing gasket.

FIXING DIMENSIONS STANDARDS DIN 42 538

German standards.



In mm.