

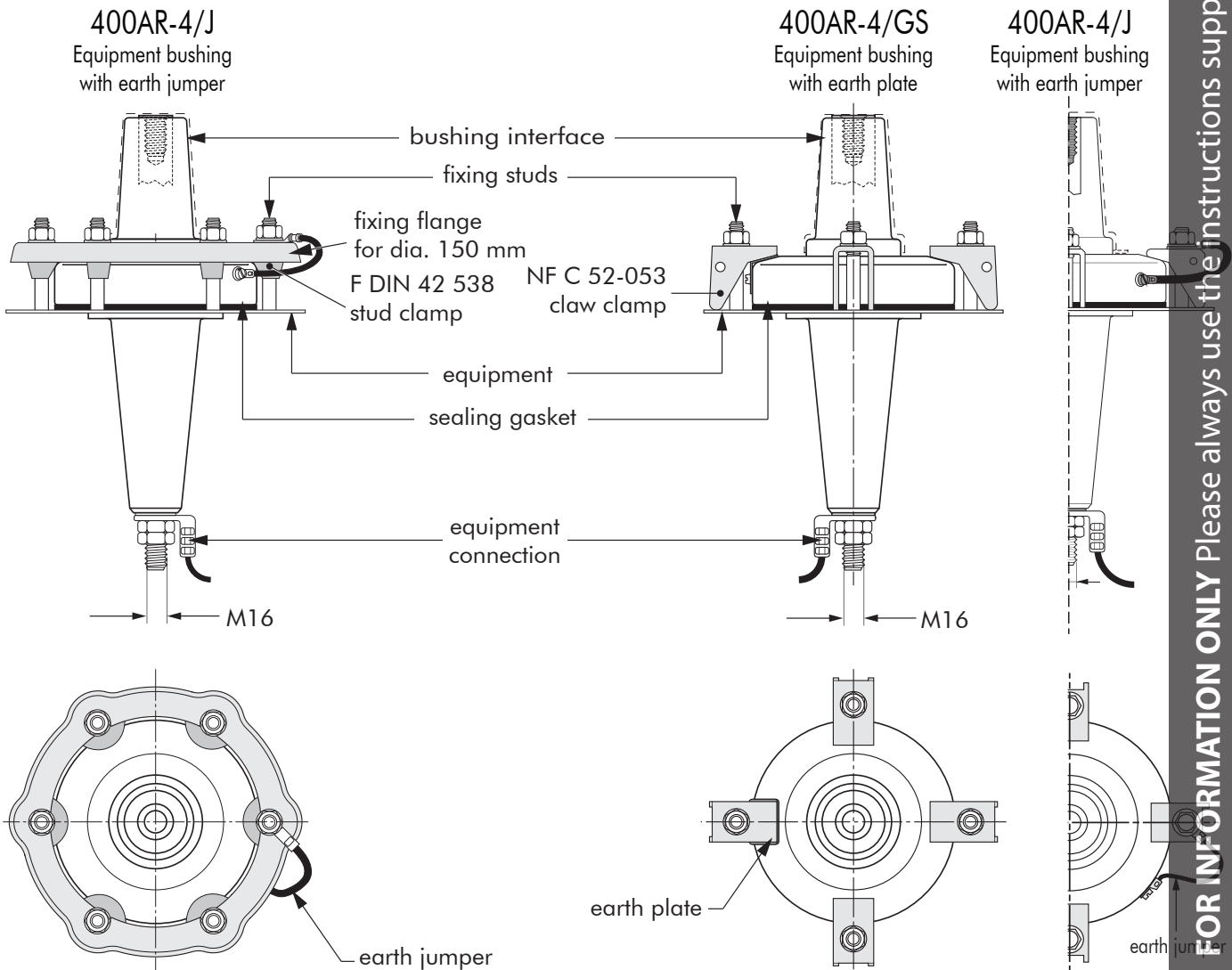
CAUTION : Read instructions thoroughly and completely prior to beginning installation.

Installation Instructions

(K),(M)400AR-4
Type C interface - 1250 A - Up to 36 kV

Installation with DIN style fixing flange

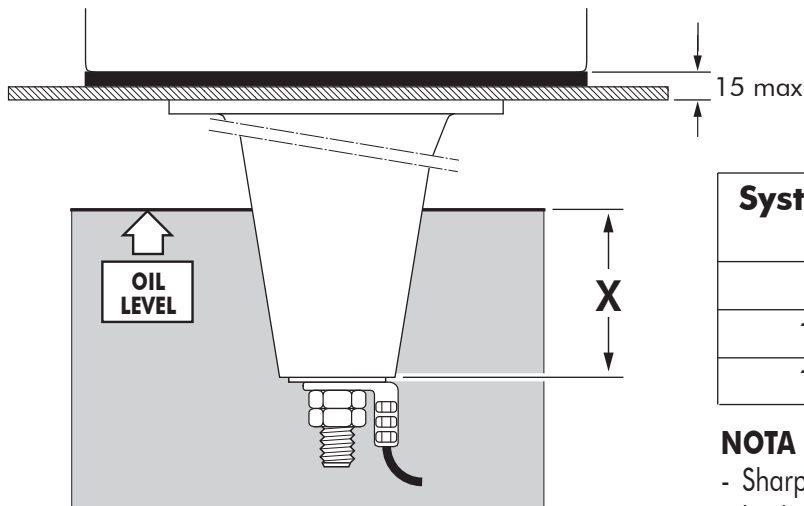
Installation with NF C 52-053 claw clamps



FOR INFORMATION ONLY Please always use the instructions supplied in the kit



MINIMUM OIL LEVEL



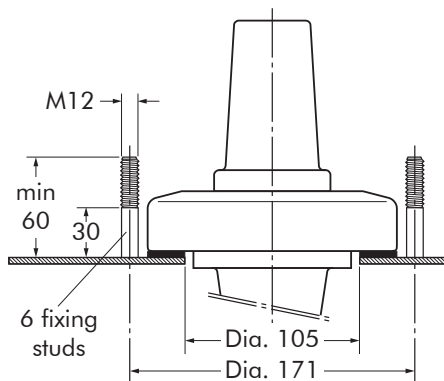
System voltage	X Length minimum
6/10 kV	40 mm
12/20 kV	50 mm
18/30 kV	120 mm

NOTA :

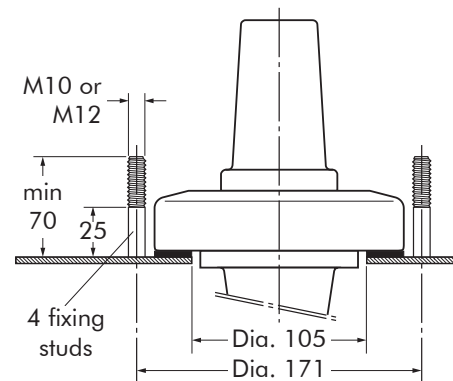
- Sharp protrusions on the inner tank wall near the bushing should be avoided.
- The combined thickness of gasket and tank wall should not be more than **15** mm.

FIXING DIMENSIONS

For installation with
DIN style fixing flange



For installation with
NF C 52-053 claw clamps



IMPORTANT NOTES :

- These bushings are supplied with protective caps over the mating interface offering protection against mechanical damage and the ingress of any contaminant. Under no circumstances should this shipping cap be considered as an electrical dead-ending device.
- These bushings should never be energised in isolation neither should they be disconnected whilst energised. They should always be connected to one of the recommended mating parts or the electrical dead-ending device: (K)(M)400DR-B/G or similar.
- Do not paint the interface.
- Alternatingly tighten the screws on the fixing studs to obtain an evenly distributed and limited deformation of the gasket (1 mm compression is advisable).

Euromold
a Nexans company

Nexans Network Solutions NV - div. EUROMOLD

Zuid III - Industrielaan 12
B-9320 EREMBODEGEM-AALST – BELGIUM
Tel: +32 (0)53/85 02 11 – Telefax: +32 (0)53/83 10 13

FOR INFORMATION ONLY Please always use the instructions supplied in the kit